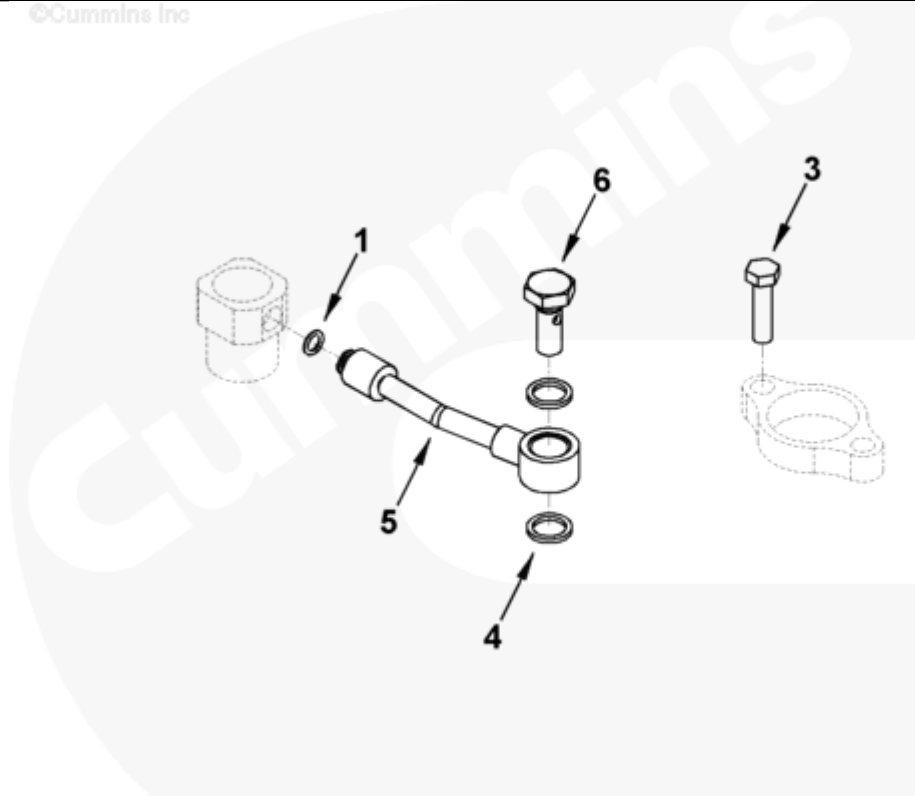




Parts Catalog - Option Detail

Electronic Parts Catalog - Option Detail				
Option	Group	Graphic	Film Card	Date
BP6110-01	06.01.5	fi600gm	K38	02-AUG-04
Engines	GTA38, K38, KTA38GC CM558, QSK38 CM2150 K106, QSK38 CM2150 MCRS, QSK38 CM850 MCRS			

©Cummins Inc



fi600gm

SMALL | MEDIUM | LARGE

Cart	Ref No	Part Number	Part Description	Required	Remarks
View My Cart					
		BP6110-01	Injector Mounting		Injector Mounting...(More)
					KV Diagnostics: Yes
					Restricted Usage: With Engine
					Mounted Heat Exchangers
		3176986	Injector Mounting	12	
<input type="checkbox"/>	1	131026	O-Ring Seal	1	
<input type="checkbox"/>	2	207244	Injector Seal	1	

<input type="checkbox"/>	3	3070962	Hexagon Head Cap Screw	2	
<input type="checkbox"/>	4	3023095	Sealing Washer	2	
<input type="checkbox"/>	5	3629341	Oil Transfer Connection	1	
<input type="checkbox"/>	6	3179021	Banjo Connector Screw	1	
<input type="checkbox"/>	2	3001658	Injector Seal	A/R	0.010 Inch Oversize.
<input type="checkbox"/>	2	3001659	Injector Seal	A/R	0.020 Inch Oversize.
<input type="checkbox"/>	2	3001660	Injector Seal	A/R	0.030 Inch Oversize.

© 2019 Cummins Inc., Box 3005, Columbus, IN 47202-3005 U.S.A.
Terms of Use and Disclaimers | Recommended System Requirements
Need Assistance? Please click on the Contact Us button in the top right corner of any page.